

Champro®



5-SHELF BOLTLESS SHELVING UNITS

MODEL NO: CSM5265

PART NO: SEE TABLE PAGE 2

ASSEMBLY INSTRUCTIONS

ORIGINAL INSTRUCTIONS

DL1123

INTRODUCTION

Thank you for purchasing this CLARKE Shelving Unit.

Before attempting to use this product, please read this manual thoroughly and follow the instructions carefully. In doing so you will ensure the safety of yourself and that of others around you, and you can look forward to your purchase giving you long and satisfactory service.

Please keep these instructions in a safe place for future reference.

SCOPE

These instructions cover the following models

Description	Model	Part Number
5-Shelf Boltless Shelving (Blue)	CSM5265/30BL	6600761
5-Shelf Boltless Shelving (Blue)	CSM5265/60BL	6600763
5-Shelf Boltless Shelving (Blue)	CSM5265/40BL	6600765
5-Shelf Boltless Shelving (Light Grey)	CSM5265/30LG	6600762
5-Shelf Boltless Shelving (Light Grey)	CSM5265/60LG	6600764
5-Shelf Boltless Shelving (Light Grey)	CSM5265/40LG	6600766

SPECIFICATIONS

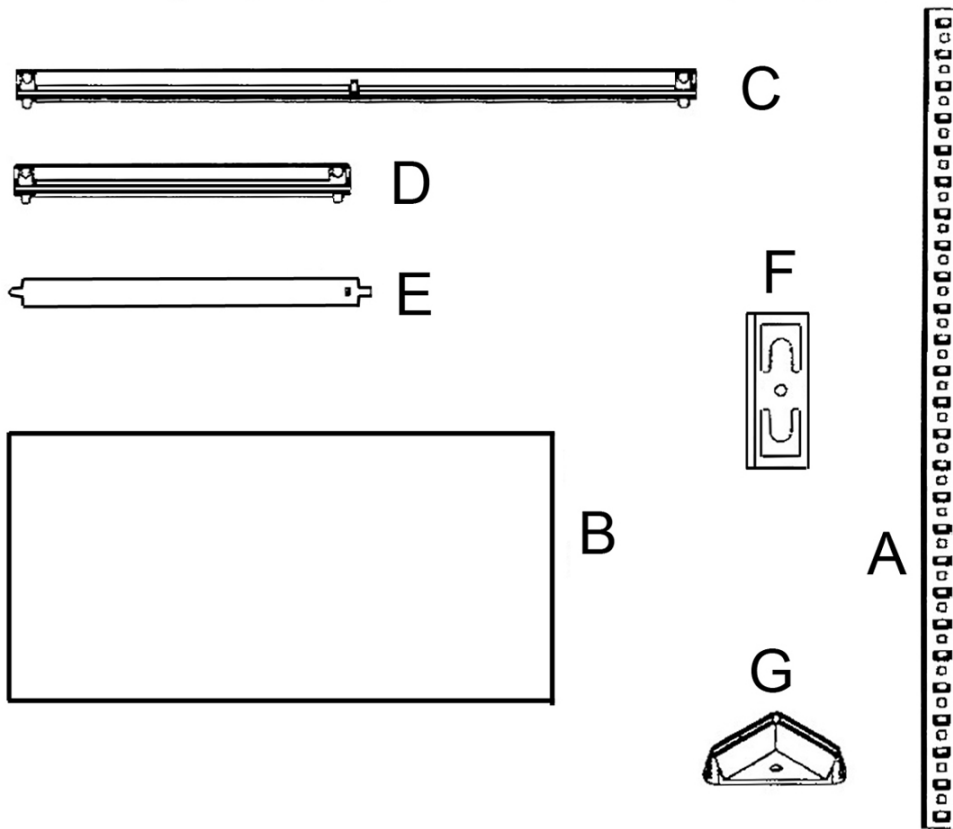
Model	Dimensions (W x D x H)	Weight (Empty)	Load per shelf evenly distributed
CSM5265/30BL & LG	900 x 300 x 1800 mm	15.6 kg	265 kg
CSM5265/40BL & LG	1200 x 400 x 1800 mm	23.2 kg	265 kg
CSM5265/60BL & LG	900 x 600 x 1800 mm	23.9 kg	265 kg

ASSEMBLY ADVICE

1. Assemble on a strong, level surface. Avoid assembly on a domestic carpet.
2. Use a cloth or softwood block to protect the surface finish of the product when using a mallet. Strike the flat surface of each beam to prevent damage to the beam.
3. Always ensure that the tabs enter fully into the slots.
4. It is recommended that the assembly should be done by two persons.
5. Always wear protective gloves when assembling the shelving unit.

This shelving unit is not recommended for outdoor use.

INVENTORY



No	Description	Quantity
A	Post	8
B	Shelf	5
C	Long Beam	10
D	Short Beam	10
E	Support Beam	5 (900 mm wide units) 10 (1200mm wide units)
F	Post Joining Insert	4
G	Plastic End Cap	4

ASSEMBLY INSTRUCTIONS

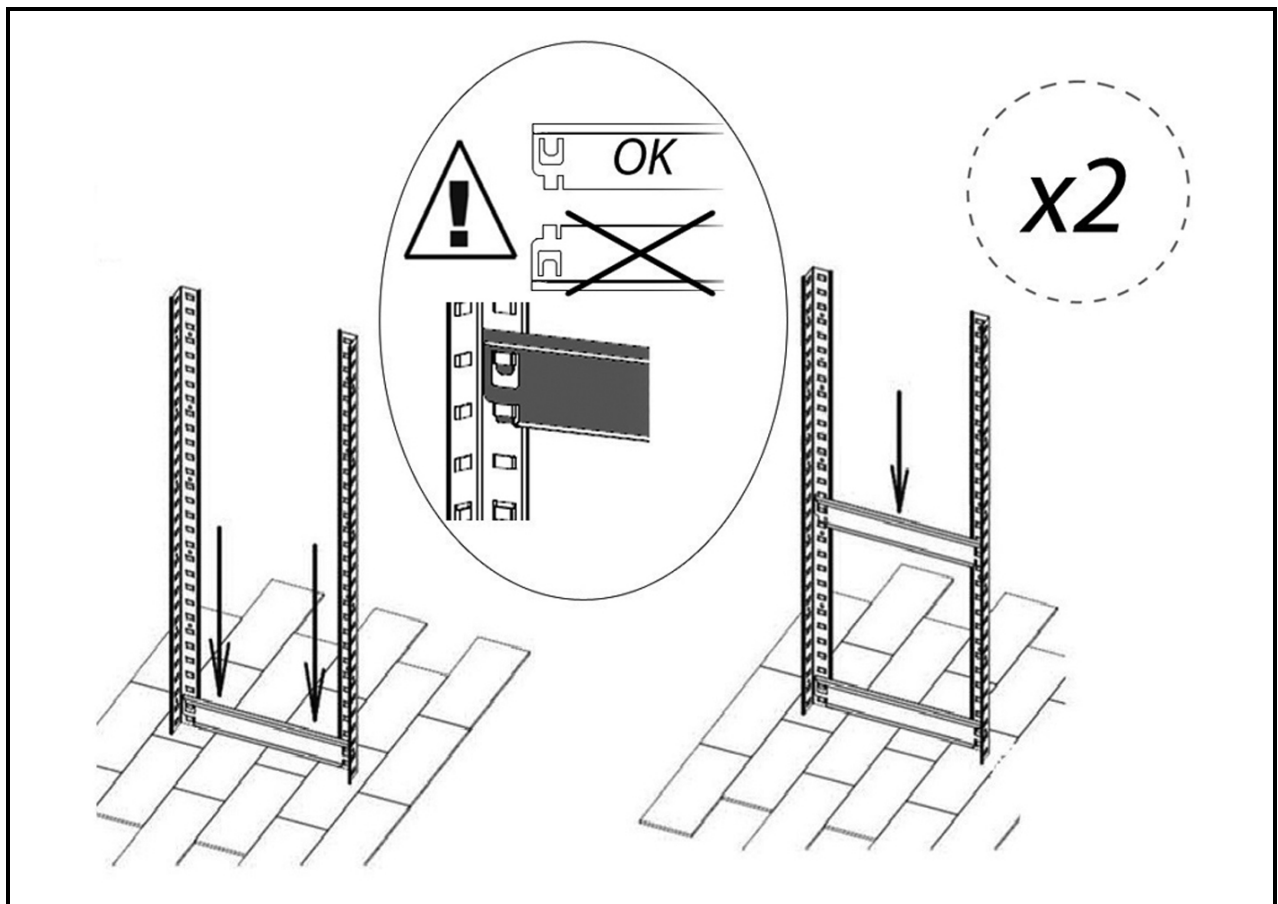
TOOLS REQUIRED

- Rubber mallet or hammer
- Protective cloth/wood block

ASSEMBLY

The tabs of the beams will often enter the slots fully using just firm hand pressure but if they are too tight, you may require a rubber mallet to assist. If so, always use a cloth to protect the product paint finish.

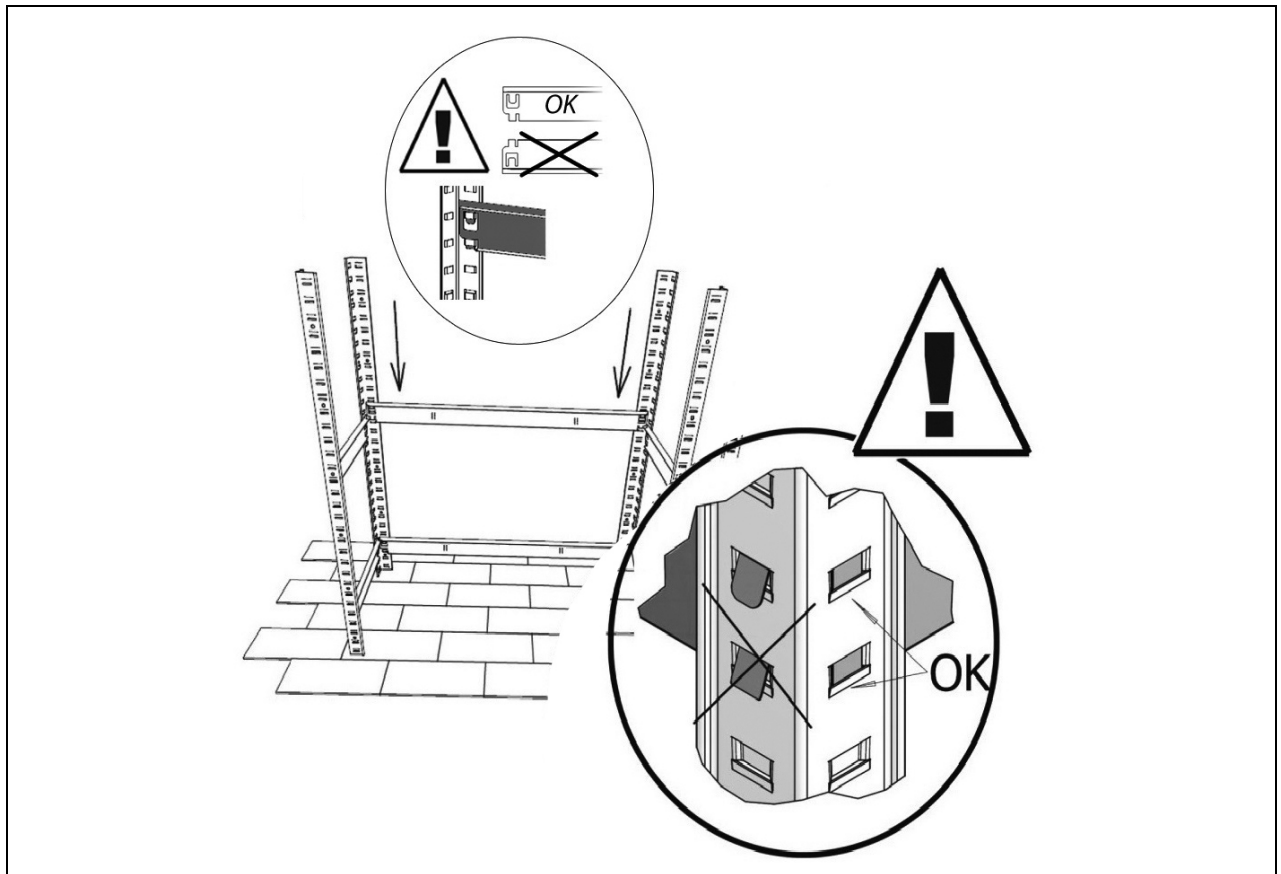
Tap gently with the mallet to drive the tabs of the beams fully into the slots in the post. Always strike the edge close to the post.



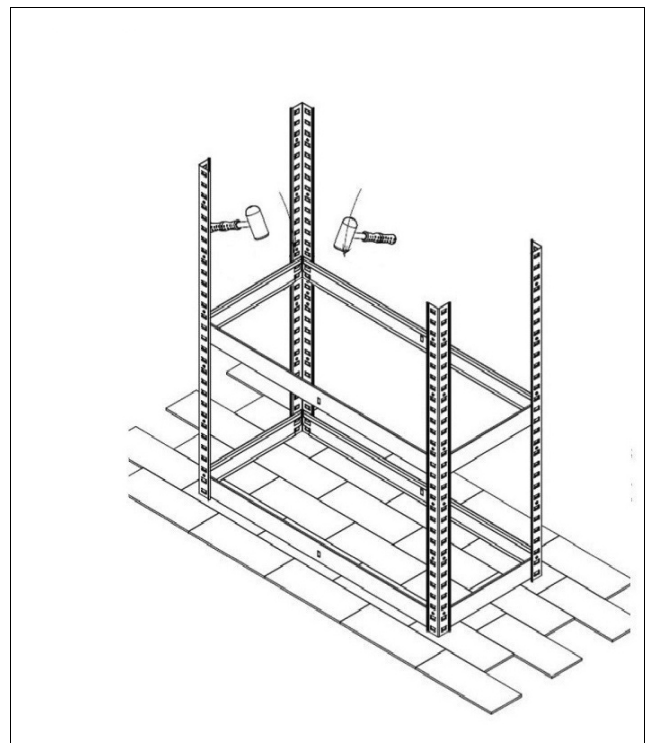
1. Use the short beams to connect the front and rear posts together.

NOTE: The short and long beams should be installed with the recessed edge uppermost to retain the shelf.

- Repeat this again to create the other end assembly, making sure that the corresponding beams are at the same height.
2. Ensure the tabs lie flat against the surface of the post.

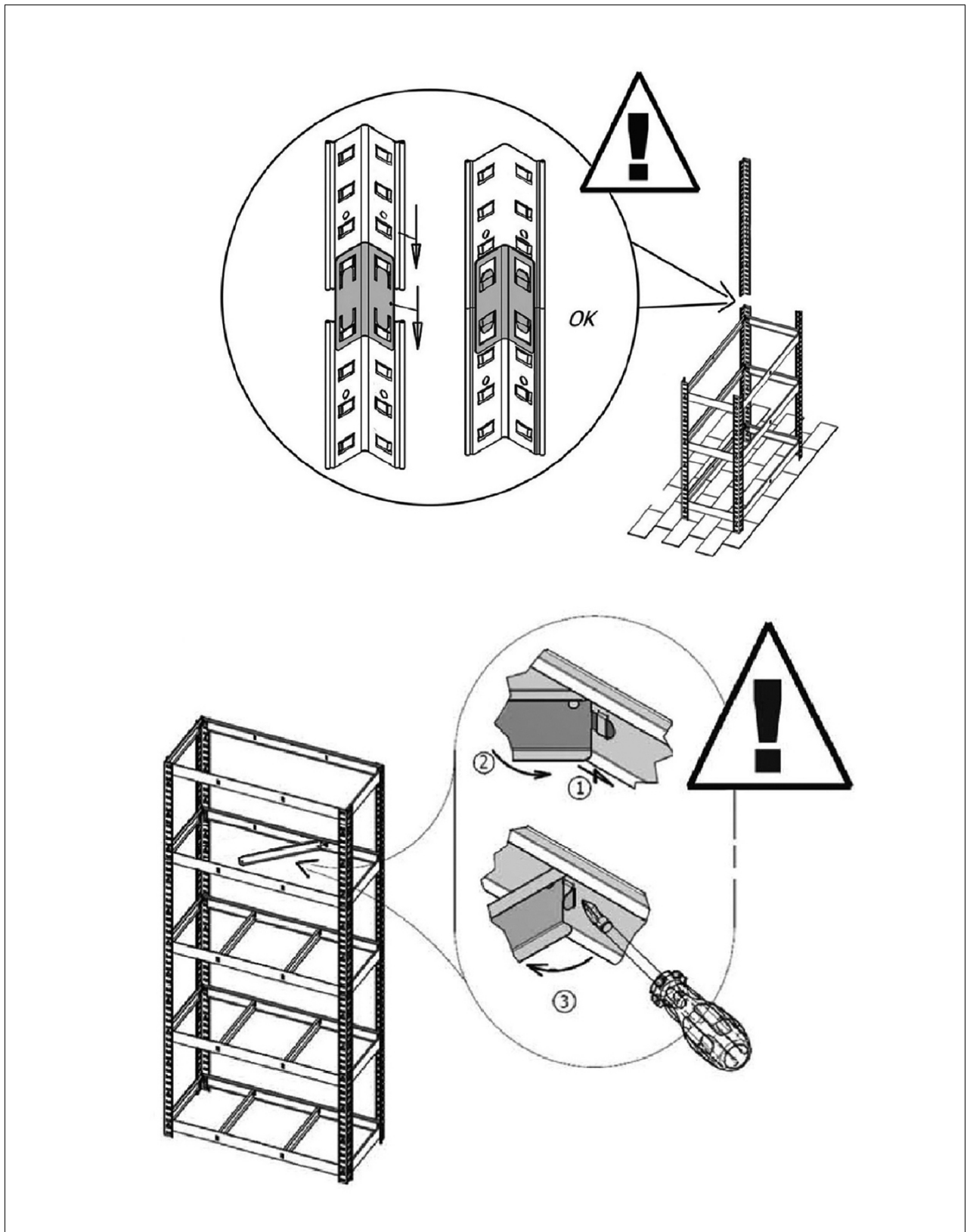


3. Join the two end assemblies together with the long beams.



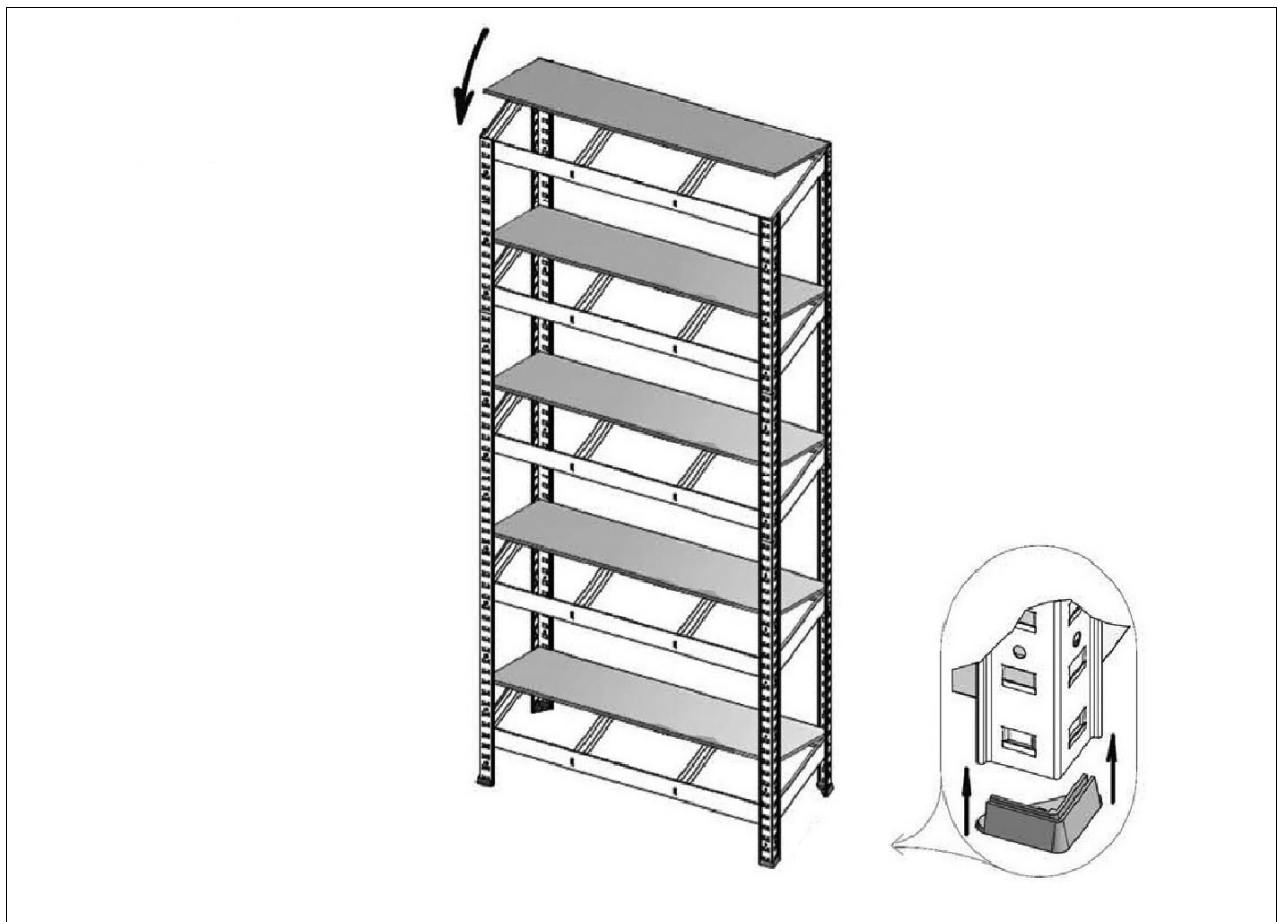
4. Fit post joining inserts into the posts, ensuring that the inserts are fitted with their tabs to match the slots of the posts.

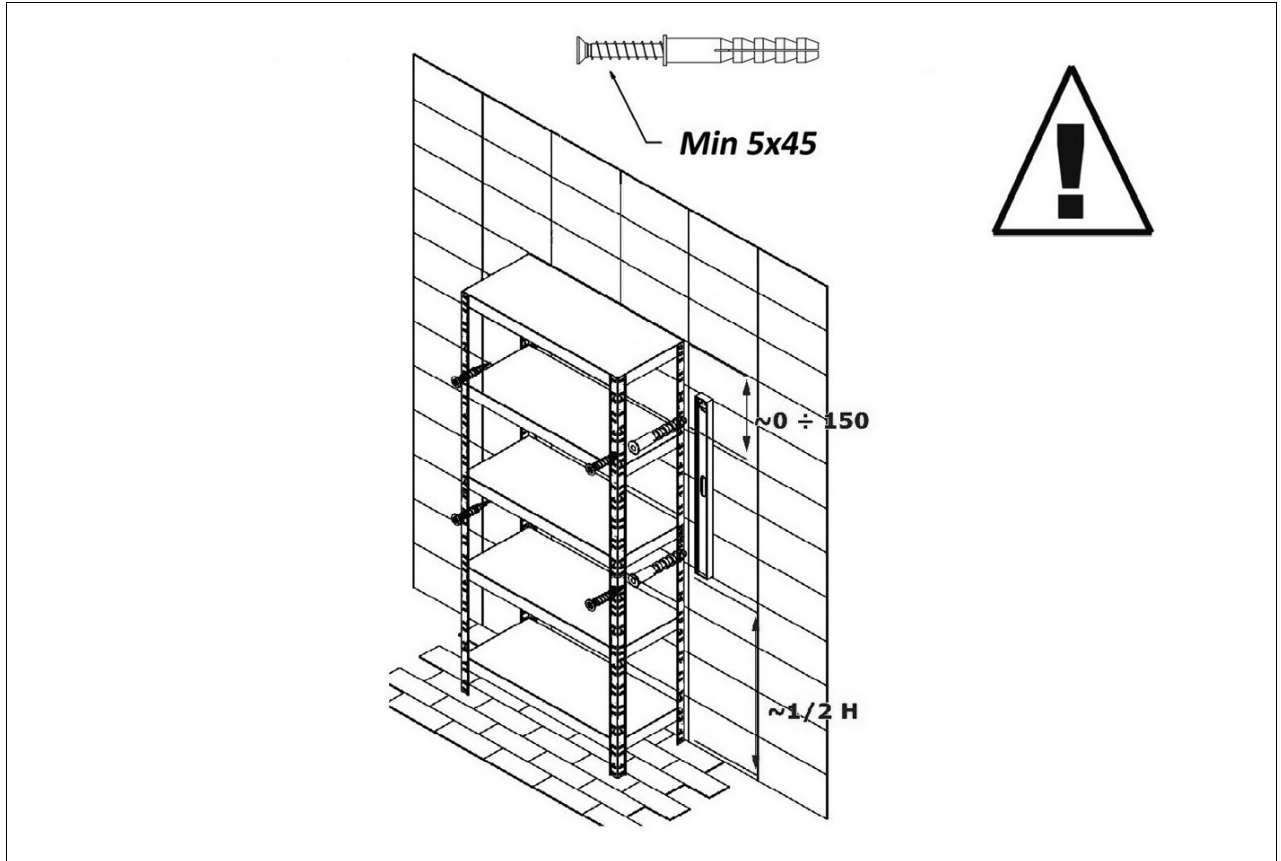
5. Construct more upper end assemblies onto the post inserts (F) before adding more long beams and support beams as previously to complete the framework.



6. Connect the support beams to the long beams. First bend the flexible tabs to 90 degrees to pass them through the slots in the long beams.

- The tab initially lays flat against the long beam.
7. Next, bend the tab back through 180 degrees to grip the long beam.
 - Use a screwdriver or similar tool to bend the tabs.
 8. Finally bend the tab again through 90 degrees the opposite way, to seat tightly against the support beam.
 9. Ensure there is no movement between the beams.
 10. Lay the shelf panels into position.
 - Always assemble the top shelf at the highest possible position.
 11. Fit the plastic end caps to the end of each post.

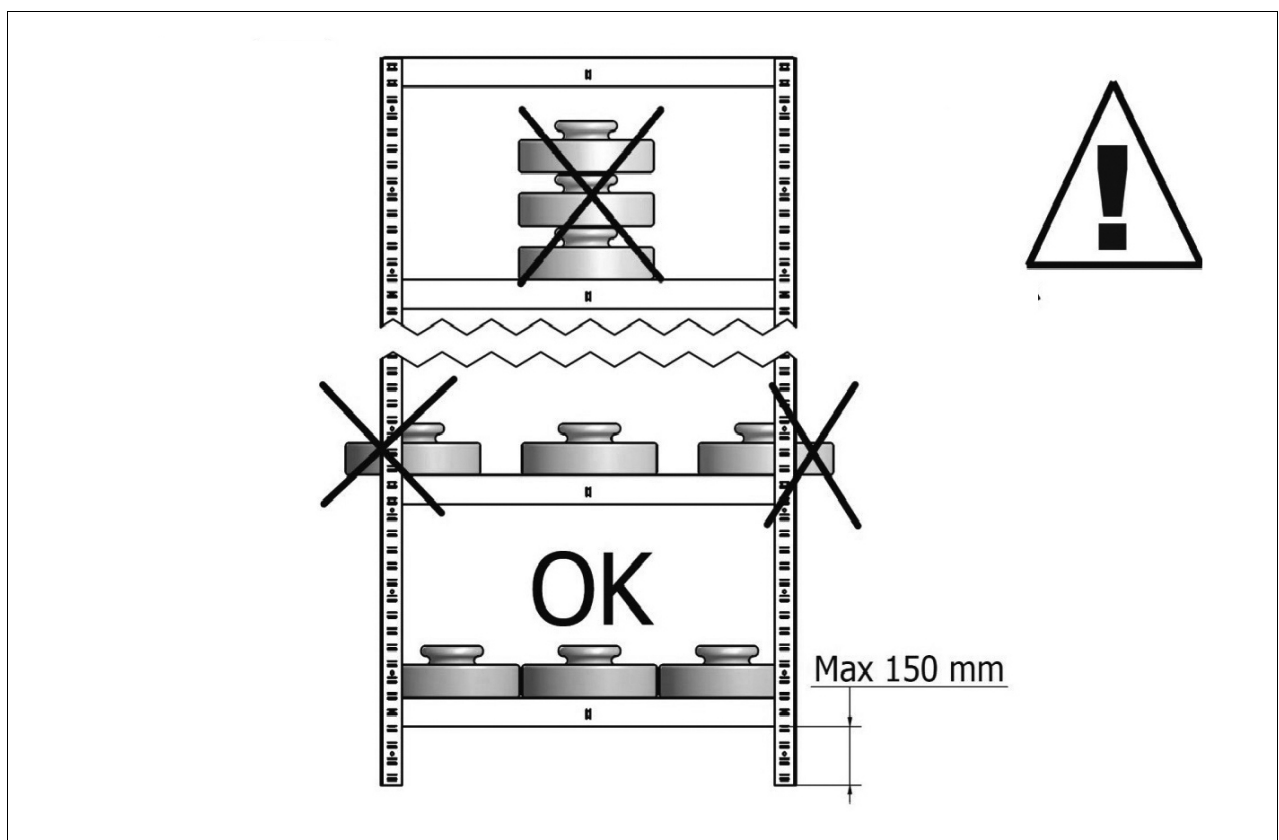




We recommend that the shelving be secured to an adjacent wall using typical wall insert plugs and screws (not supplied) aligned with the slots in the posts.

GENERAL SAFETY RULES

1. Always maintain shelving in good condition for the best/safest performance.
2. Never exceed the maximum load for these shelving units as stated in the specification.
3. Never use these shelving units if they are damaged.
4. Always load small, stable items on the top shelves, heavier and bulky items should be stored on the lower shelves.
5. Always distribute heavy loads evenly across the shelves.



GUARANTEE

This product is guaranteed against faulty manufacture for a period of 12 months from the date of purchase. Please keep your receipt which will be required as proof of purchase.

This guarantee is invalid if the product is found to have been abused or tampered with in any way, or not used for the purpose for which it was intended.

Faulty goods should be returned to their place of purchase, no product can be returned to us without prior permission.

This guarantee does not effect your statutory rights.

ENVIRONMENTAL PROTECTION

Do not dispose of old products or damaged parts with general household waste. All tools, accessories and packaging no longer required should be sorted, taken to a recycling centre and disposed of appropriately.

A SELECTION FROM THE VAST RANGE OF

Clarke®

QUALITY PRODUCTS



AIR COMPRESSORS
From DIY to industrial, Plus air tools, spray guns and accessories.

GENERATORS
Prime duty or emergency standby for business, home and leisure.

POWER WASHERS
Hot and cold, electric and engine driven - we have what you need

WELDERS
Mig, Arc, Tig and Spot. From DIY to auto/industrial.

METALWORKING
Drills, grinders and saws for DIY and professional use.

WOODWORKING
Saws, sanders, lathes, mortisers and dust extraction.

HYDRAULICS
Cranes, body repair kits, transmission jacks for all types of workshop use.

WATER PUMPS
Submersible, electric and engine driven for DIY, agriculture and industry.

POWER TOOLS
Angle grinders, cordless drill sets, saws and sanders.

STARTERS/CHARGERS
All sizes for car and commercial use.



PARTS & SERVICE: 0208 988 7400

Parts Enquiries
Parts@clarkeinternational.com

Servicing & Technical Enquiries
Service@clarkeinternational.com

SALES: UK 01992 565333 or Export 00 44 (0)1992 565335

Clarke INTERNATIONAL Hemnall Street, Epping, Essex CM16 4LG
www.clarkeinternational.com